

56

Johnson *motors*

**parts
catalog**

1956



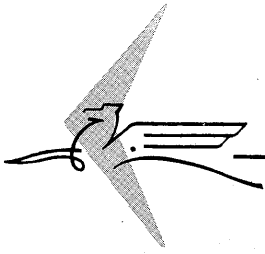
MODELS

FDE-FDEL-10, 10L & 10S

15 hp

W A U K E G A N , I L L I N O I S

56



J O H N S O N M O T O R S

NOTE

PARTS THAT DIFFER IN MODELS FDE-10, FDE-10L &
FDE-10S MOTORS, ARE IDENTIFIED BY MODEL NUMBERS

WARRANTY

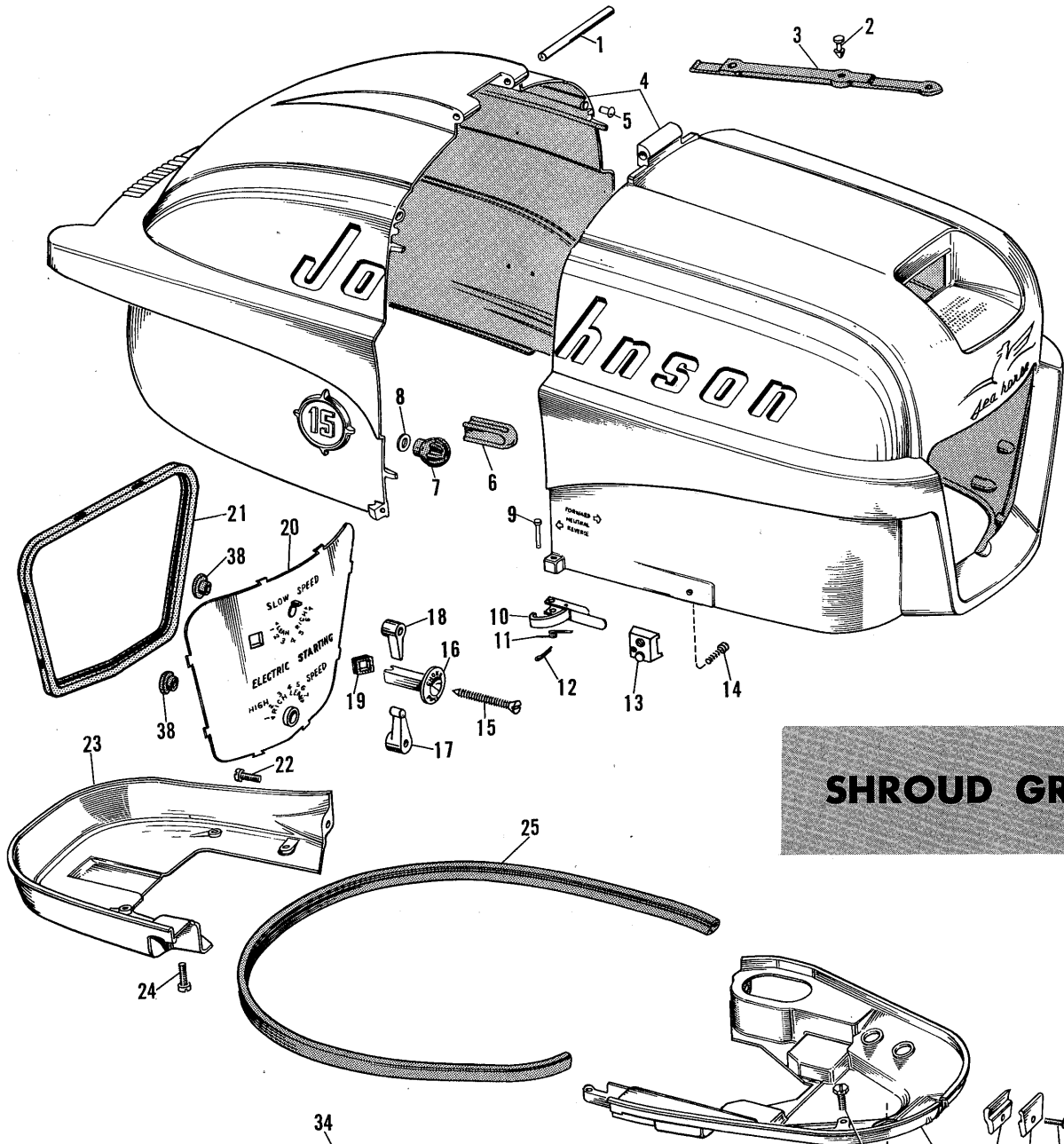
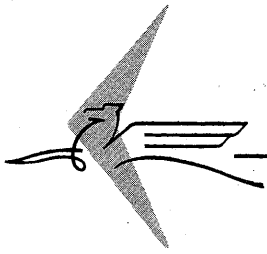
We warrant each new outboard motor of our manufacture to be free from defects in material and workmanship under normal use and service, our obligation under this warranty being limited to making good at the factory any part or parts thereof which shall, within three months after initial use, or within one year from date of original purchase, whichever first occurs, be returned to us with transportation charges prepaid, and which our examination shall disclose to our satisfaction to have been thus defective; this warranty being expressly in lieu of all other warranties and representations expressed or implied and of all other liabilities in connection with the sale or use of any motors.

This warranty shall not apply to any motor which shall have been repaired or altered outside the factory in any way so as to affect its stability, nor which has been subject to misuse, negligence or accident, or operated for racing purposes or operated in any other way than in accordance with our operating instructions.

We make no warranty in respect to trade accessories not of our manufacture, inasmuch as they are usually warranted separately by their respective manufacturers.

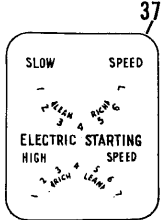
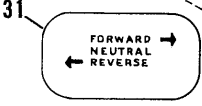
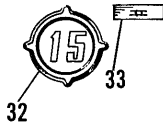
Because of the unusual strains and accidents to which such products may be subjected, we make no warranty of either material or workmanship in racing outboard motors or any of our products when used for racing.

Claims must be entered on motors or motor parts returned to the factory for inspection, repair or replacement. Request form No. SE-16 from local Johnson Dealer or Service Station. **This form should be filled in, signed by the motor owner and dealer or service station representatives and mailed to the factory with returned material. TRANSPORTATION CHARGES PREPAID.**



SHROUD GROUP

Johnson



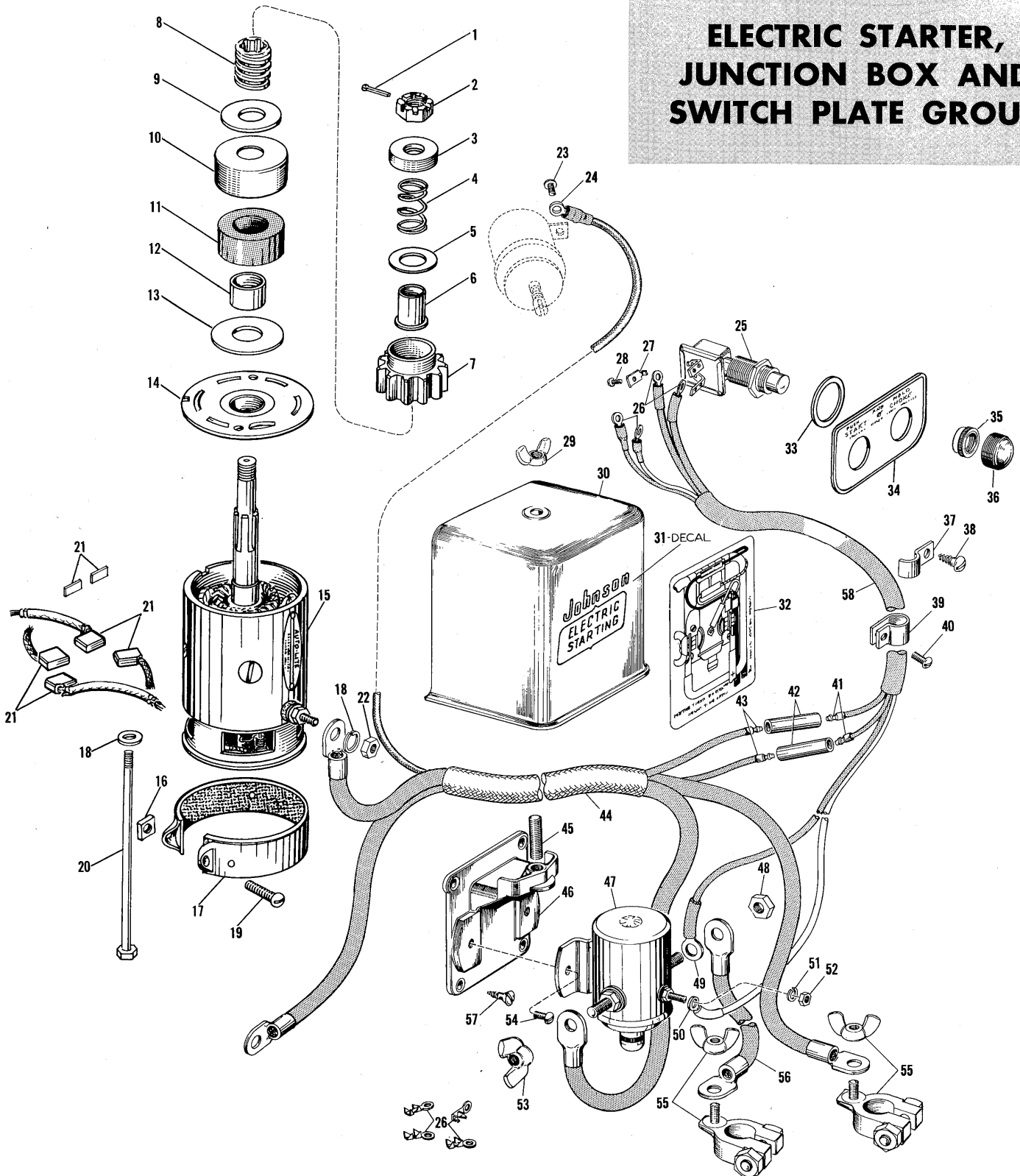
TO START
 1 Shift to Neutral 2 Connect fuel line
 3 Pump nose pump until resistance is felt
 4 Set speed without at start of bow
 5 Pull choke out and start
 Must be started cold
 Read this manual as a means of learning
 SPARK PLUG: Always use the correct
 TYPE AND GAPING WHEN CHANGING

BE SURE TO SPECIFY MODEL AND SERIAL NUMBER
OF MOTOR WHEN ORDERING PARTS

PHOTO NO.	PART NO.	NAME OF PART	QTY. PER MOTOR
1	303536	Hinge Pin	1
2	304485	Pin	1
3	376627	Strap & Pin Assembly	1
4	376722	Shroud, Transfer & Bumper Assembly	1
5	203290	Bumper	2
6	303922	Bumper	2
7	304461	Bumper	2
8	303565	Washer	2
9	303522	Pin	2
10	376129	Clamp & Lever Assembly	2
11	303519	Spring	2
12	304665	Cotter Pin	2
13	303538	Boss	1
14	19-189	Screw	1
15	302761	Screw	1
16	303718	Choke Knob	1
17	304360	Adjusting Lever - High Speed	1
18	303847	Adjusting Lever - Slow Speed	1
19	303796	Grommet	1
20	376534	Control Panel & Transfer	1
21	303537	Grommet	1
22	304013	Screw	1
23	304005	Cover - Lower Rear	1
24	304012	Screw	4
25	304014	Seal	1
26	304438	Cover - Lower Front	1
27	304015	Screw	1
28	304020	Clamp - Inner	1
29	304021	Clamp - Outer	1
30	304022	Screw	1
31	304349	Transfer - Gearshift	1
32	304385	Medallion "15"	2
33	304387	Nut	4
34	304336	Transfer - Johnson - Port & Starboard	2
35	304339	Transfer - Sea Horse - Front	1
36	304369	Transfer - Starting Instructions	1
37	304347	Transfer - Control Panel	1
38	303535	Grommet	2
39	304017	Grommet	1

ORDER ALL PARTS FROM YOUR JOHNSON SEA-HORSE DEALER

ELECTRIC STARTER, JUNCTION BOX AND SWITCH PLATE GROUP



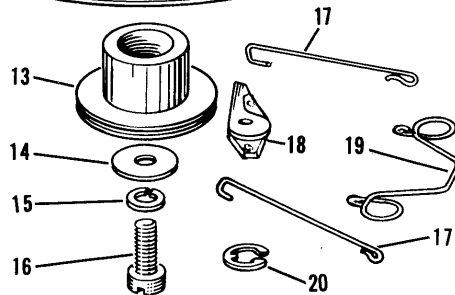
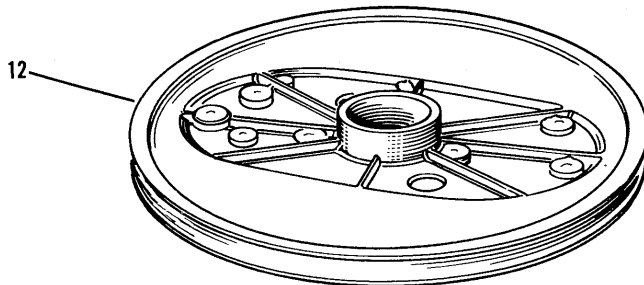
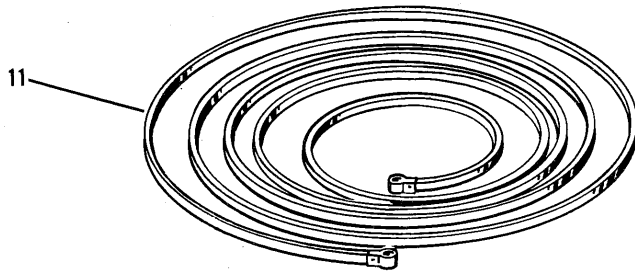
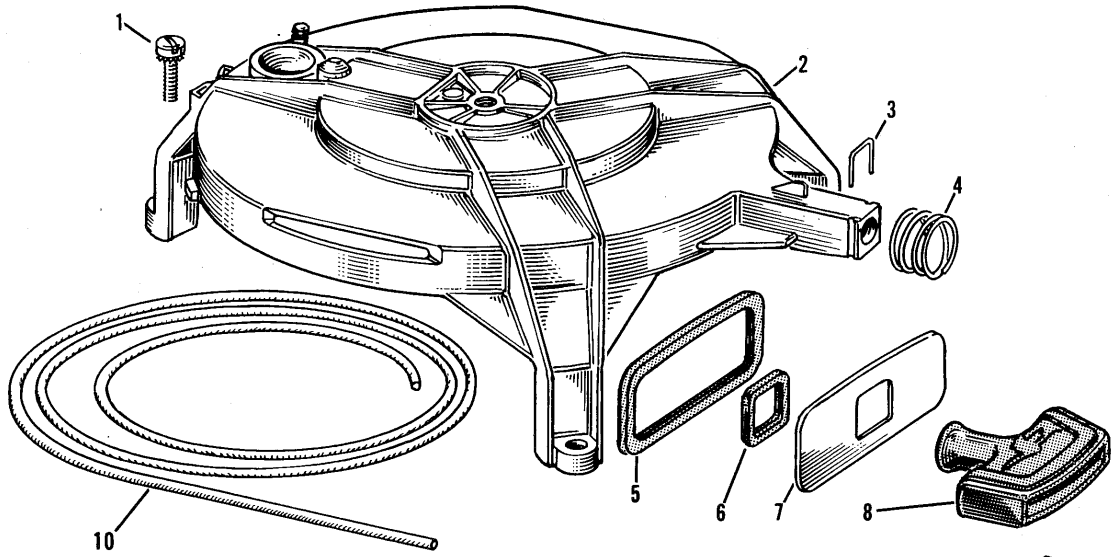
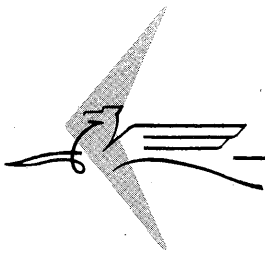
BE SURE TO SPECIFY MODEL AND SERIAL NUMBER OF MOTOR WHEN ORDERING PARTS

PHOTO NO.	PART NO.	NAME OF PART	QTY. PER MOTOR	PHOTO NO.	PART NO.	NAME OF PART	QTY. PER MOTOR
1	120219	Cotter Pin	1	33	301663	Washer	2
2	203569	Nut	1	34	304329	Switch Plate	1
3	203874	Stop	1	35	203658	Nut	2
4	203873	Spring	1	36	203659	Cover (Red) Starter Switch Button	1
5	203866	Washer	1	36	203660	Cover (Black) Choke Switch Button	1
6	203870	Sleeve	1	37	203505	Clamp	4
7	203875	Pinion	1	38	303777	Screw	4
8	203869	Screwshaft	1	39	203501	Clamp	1
9	203865	Thrust Washer	1	40	39-169	Screw	2
10	203867	Cup	1	41	203524	Terminal	2
11	203868	Cushion	1	42	277327	Connector	2
12	203872	Spacer	1	43	203527	Terminal	2
13	203871	Washer	1	44	277438	Cable Assembly - Motor to Junction Box	1
	(277484 Bendix Drive Assembly)		1	45	203510	Stud	1
14	277485	End Plate Assembly	1	46	203506	Mounting Bracket	1
15	*	(277432 Starter Motor Assembly Complete)	1	47	277317	Solenoid Assembly - Starter Switch	1
16	302054	Nut	1	48	303783	Nut	1
17	277486	Head Band Assembly	1	49	203523	Terminal	1
18	19-124	Lockwasher	1	50	203525	Terminal	2
19	304511	Screw	1	51	120052	Lockwasher	1
20	203864	Frame Screw	2	52	85-64	Nut	4
21	277487	Brush Set	1	53	203532	Wing Nut	3
22	303932	Nut	1	54	39-169	Screw	2
23	510193	Screw	4	55	277474	Battery Terminal Assembly	2
24	203525	Terminal	2	56	277323	Cable Assembly - Battery to Starter Solenoid	1
25	277382	Switch Assembly - Choke & Starter	2	57	303776	Screw	4
26	203512	Terminal	4	58	277325	Cable Assembly - Switch Plate to Junction Box	1
27	203550	Lockwasher	4		**203526	Cable Assembly - less Terminals	
28	91-373	Screw	4				
29	203511	Wing Nut	1				
30	376701	Junction Box Cover & Decal Assembly	1				
31	304328	Decal - Johnson Electric Starting (376530 Junction Box & Switch Plate Assembly)	1				
32	203507	Decal - Wiring Diagram	1				

*Contact your Auto-Lite dealer for service on the armature assembly, thrust washer - armature - upper and lower, frame and field assembly, and commutator end head assembly.

**Same as cable assembly #277325 (Photo #58 less terminals - available only in 100 foot lengths.)

NOTE
Always request marine treated parts from your Auto-Lite dealer.

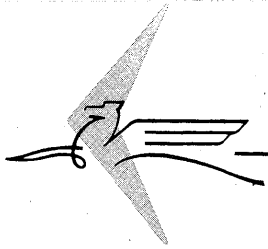


STARTER GROUP

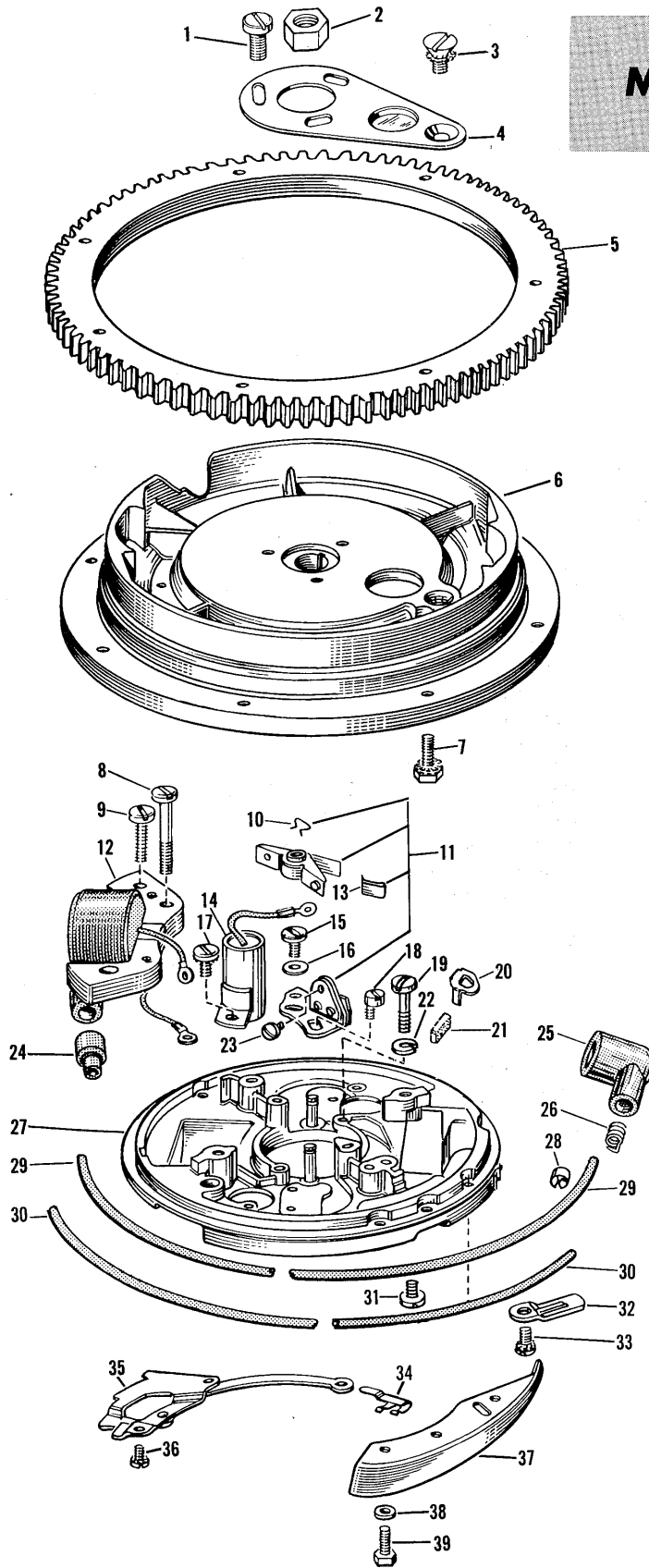
BE SURE TO SPECIFY MODEL AND SERIAL NUMBER
OF MOTOR WHEN ORDERING PARTS

PHOTO NO.	PART NO.	NAME OF PART	QTY. PER MOTOR
1	303288	Screw	3
2	376665	Starter Housing & Pin Assembly	1
	(376667	Starter Assembly Complete)	1
3	304237	Spring Clip - Starter Housing	1
4	304235	Spring - Cover to Starter Housing	1
5	303529	Grommet	1
6	304236	Grommet	1
7	304238	Cover	1
8	304324	Handle - Starter (Model FDE-10)	1
	304502	Handle - Starter (Models FDE-10L & 10S)	1
9	304325	Anchor - Rope to Handle	1
10	203822	Rope - Starter	1
11	41-197	Starter Spring	1
12	376666	Starter Pulley & Pin Assembly	1
13	203699	Spindle - Starter	1
14	202356	Washer	1
15	13-51	Lockwasher - Starter Retaining Screw	1
16	13-588	Screw - Starter Retainer	14
17	203725	Link - Friction Spring to Pawl	2
18	203698	Pawl - Starter	1
19	203697	Friction Spring	1
20	203470	Retaining Ring - Starter Pawl	1

ORDER ALL PARTS FROM YOUR JOHNSON SEA-HORSE DEALER



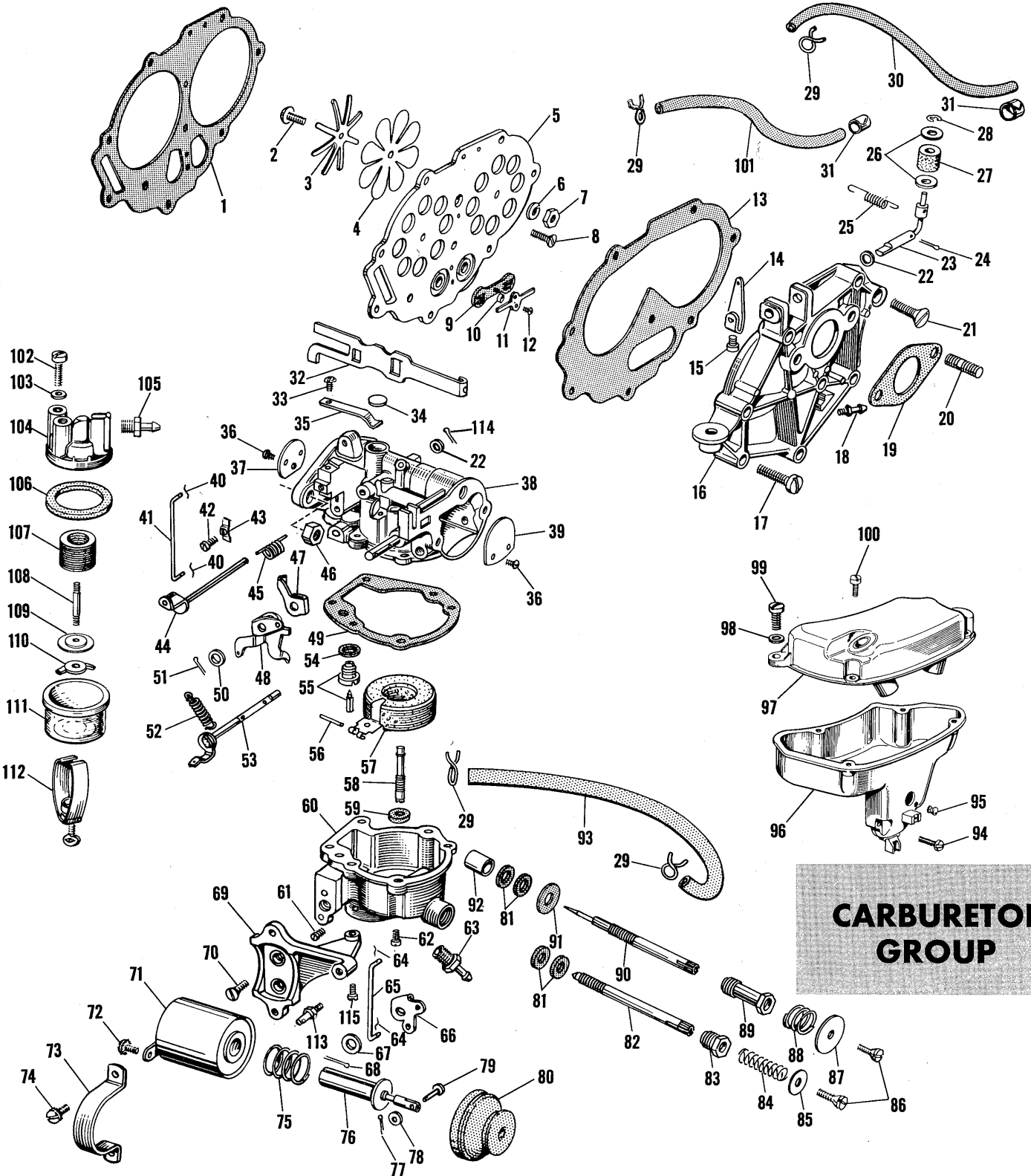
MAGNETO GROUP



BE SURE TO SPECIFY MODEL AND SERIAL NUMBER
OF MOTOR WHEN ORDERING PARTS

PHOTO NO.	PART NO.	NAME OF PART	QTY. PER MOTOR
1	203751	Screw	3
2	301988	Nut	1
3	510293	Screw	1
4	510292	Cover	1
5	203755	Ring Gear	1
6	580216	Flywheel & Cover Assembly	1
	(580202	Flywheel, Ring Gear, & Cover Assembly)	1
7	303698	Screw	8
8	510191	Screw	2
9	510195	Screw	4
10	71-1052	Spring Clip	2
11	580148	Breaker Assembly	2
12	580118	Coil & Lamination Assembly	2
13	510204	Clip	2
14	510173	Condenser	2
15	510278	Screw	4
16	510208	Bow Washer	2
17	510193	Screw	8
18	510185	Eccentric Screw	2
19	510192	Screw	2
20	510188	Oiler Clip	1
21	510189	Oiler Wick	1
22	3-28	Lockwasher	2
23	510194	Screw	2
24	510289	Grommet	2
25	510232	Rubber Cover	2
26	510231	Spring Terminal	2
27	580210	Armature Plate, Sleeve & Post Assembly	1
	(580207	Armature Plate Complete)	1
28	71-1239	Marker - High Tension Lead - Upper	1
29	510239	High Tension Lead - Upper	1
30	510210	High Tension Lead - Lower	1
31	510278	Screw	4
32	510190	Clamp	1
33	510193	Screw	8
34	303146	Spring Clip	1
35	376313	Link & Stop Assembly	1
36	510193	Screw	8
37	203277	Cam	1
38	300154	Washer	2
39	304441	Screw	2

ORDER ALL PARTS FROM YOUR JOHNSON SEA-HORSE DEALER



CARBURETOR GROUP

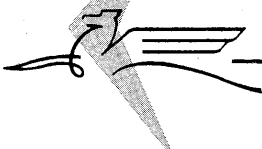
BE SURE TO SPECIFY MODEL AND SERIAL NUMBER
OF MOTOR WHEN ORDERING PARTS

FDE-FDEL-10, 10L & 10S

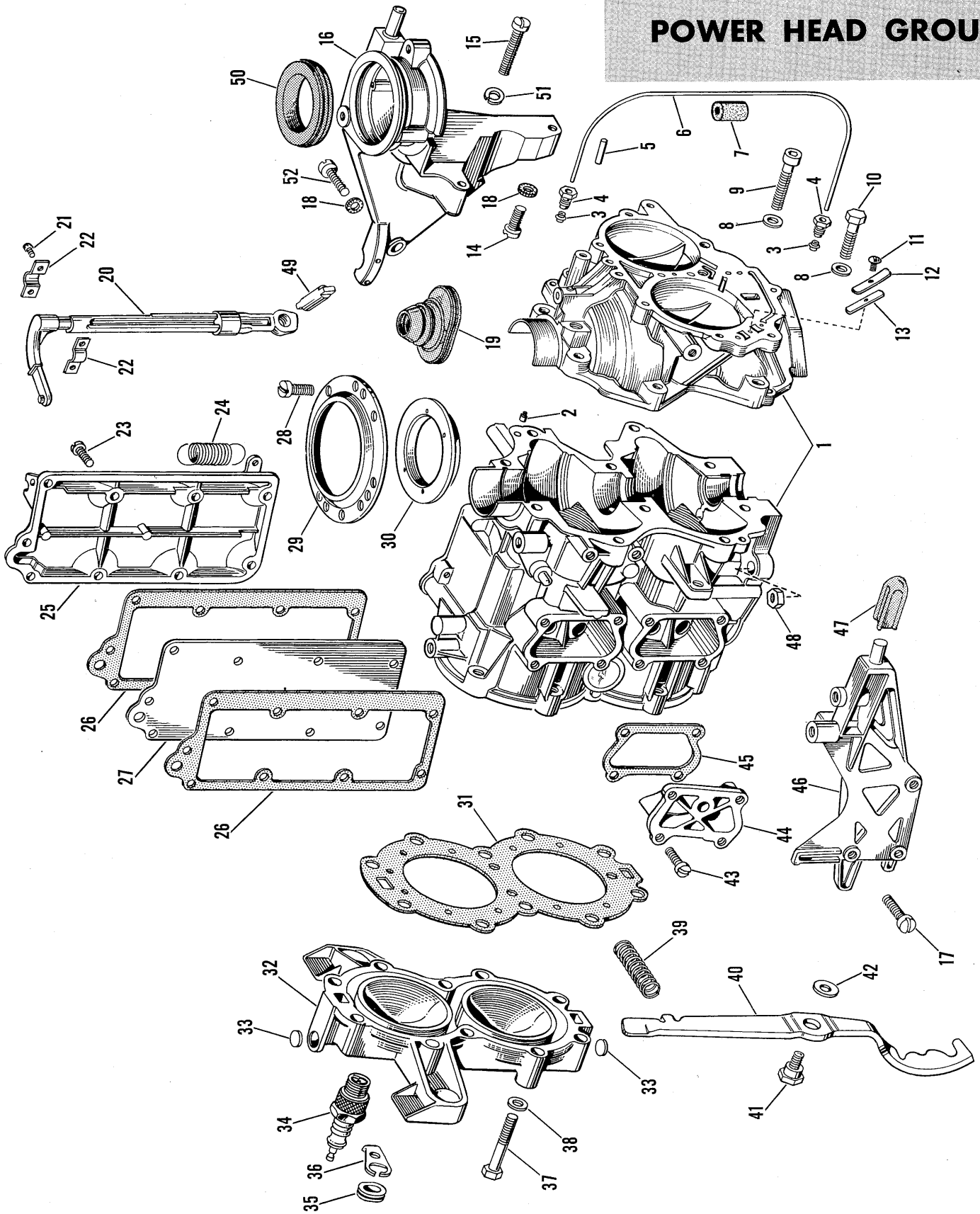
PHOTO NO.	PART NO.	NAME OF PART	QTY. PER MOTOR
1	203269	Gasket	1
2	301858	Screw	2
3	203234	Leaf Stop	2
4	203246	Leaf	2
5	203267	Leaf Plate	1
	(277206	Leaf Plate Assembly)	1
6	71-1487	Lockwasher	2
7	85-64	Nut	4
8	302104	Screw	1
9	302042	Check Valve	1
10	302046	Spacer	2
11	302048	Spring	1
12	19-191	Screw	3
13	203270	Gasket	1
14	376729	Arm & Screw Assembly	1
15	304572	Screw	1
16	277563	Manifold & Stud Assembly	1
17	130618	Screw	7
18	303172	Nipple	1
19	203237	Gasket	1
20	302822	Stud	2
21	304294	Screw	1
22	303048	Washer	1
23	203732	Cam Follower	1
24	41-163	Cotter Pin	3
25	203276	Spring	1
26	303279	Bushing	2
27	203362	Roller	1
28	203363	Retainer	1
29	302647	Clamp	4
30	203287	Hose - Air	1
31	301822	Clamp	2
32	303143	Choke Rod	1
33	302430	Screw	1
34	202310	Expansion Plug	1
35	303132	Spring	1
36	303760	Screw	4
37	303174	Throttle Valve	1
38	376500	Carburetor Body, Valve & Plug Assembly	1
	(376765	Carburetor Assembly - less Solenoid)	1
39	303126	Choke Valve	1
40	41-110	Pin	2
41	203727	Link	1
42	131249	Screw	1
43	303117	Bracket	1
44	376497	Throttle Shaft & Lever Assembly	1
45	303119	Spring	1
46	7-46	Nut	5
47	304257	Lever	1
48	304258	Bellcrank	1
49	302994	Gasket	1
50	85-54	Washer	2
51	41-163	Cotter Pin	3
52	303316	Spring	1
53	375993	Choke Shaft & Lever Assembly	1
54	301996	Gasket	1
55	375985	Float Valve and Seat Assembly	1

PHOTO NO.	PART NO.	NAME OF PART	QTY. PER MOTOR
56	300096	Hinge Pin	1
57	375919	Float and Float Arm Assembly	1
58	303175	Nozzle	1
59	302984	Gasket	1
60	304256	Float Chamber	1
61	303041	Screw	1
62	71-1589	Screw	4
63	303172	Nipple	2
64	41-110	Pin	4
65	203727	Link	1
66	303747	Lever	1
67	85-54	Washer	2
68	41-163	Cotter Pin	3
69	304255	Bracket	1
70	131024	Screw	2
71	376222	Solenoid	1
72	510193	Screw	8
73	303740	Yoke	1
74	303737	Screw	2
75	303745	Spring	1
76	376610	Plunger Assembly	1
77	301912	Cotter Pin	1
78	71-1447	Washer	1
79	303738	Pin	1
80	303792	Cover	1
81	43-123	Packing	4
82	304082	Needle Valve - High Speed	1
83	300179	Nut	1
84	302993	Spring	1
85	202065	Washer	1
86	551517	Screw	2
87	25-304	Washer	1
88	303548	Spring	1
89	303479	Nut	1
90	303945	Needle Valve - Slow Speed	1
91	203355	Washer	1
92	303947	Bushing	1
93	203730	Hose - Fuel	2
94	13-558	Screw	14
95	203652	Button Plug	1
96	203728	Air Silencer - Lower	1
97	277437	Air Silencer - Upper	1
98	13-585	Washer	4
99	21-167	Screw	2
100	25-74	Screw	6
101	203730	Hose - Fuel	2
102	51-47	Screw	2
103	13-585	Washer	4
104	302067	Body	1
105	303172	Nipple	2
106	302065	Gasket	1
107	302062	Filter	1
108	302063	Stud	1
109	302060	Retainer	1
110	302061	Wing Nut	1
111	302064	Bowl	1
112	375622	Filter Yoke Assembly	1
113	303739	Pivot Shaft	1
114	303049	Cotter Pin	2
115	550913	Screw	1

ORDER ALL PARTS FROM YOUR JOHNSON SEA-HORSE DEALER



POWER HEAD GROUP



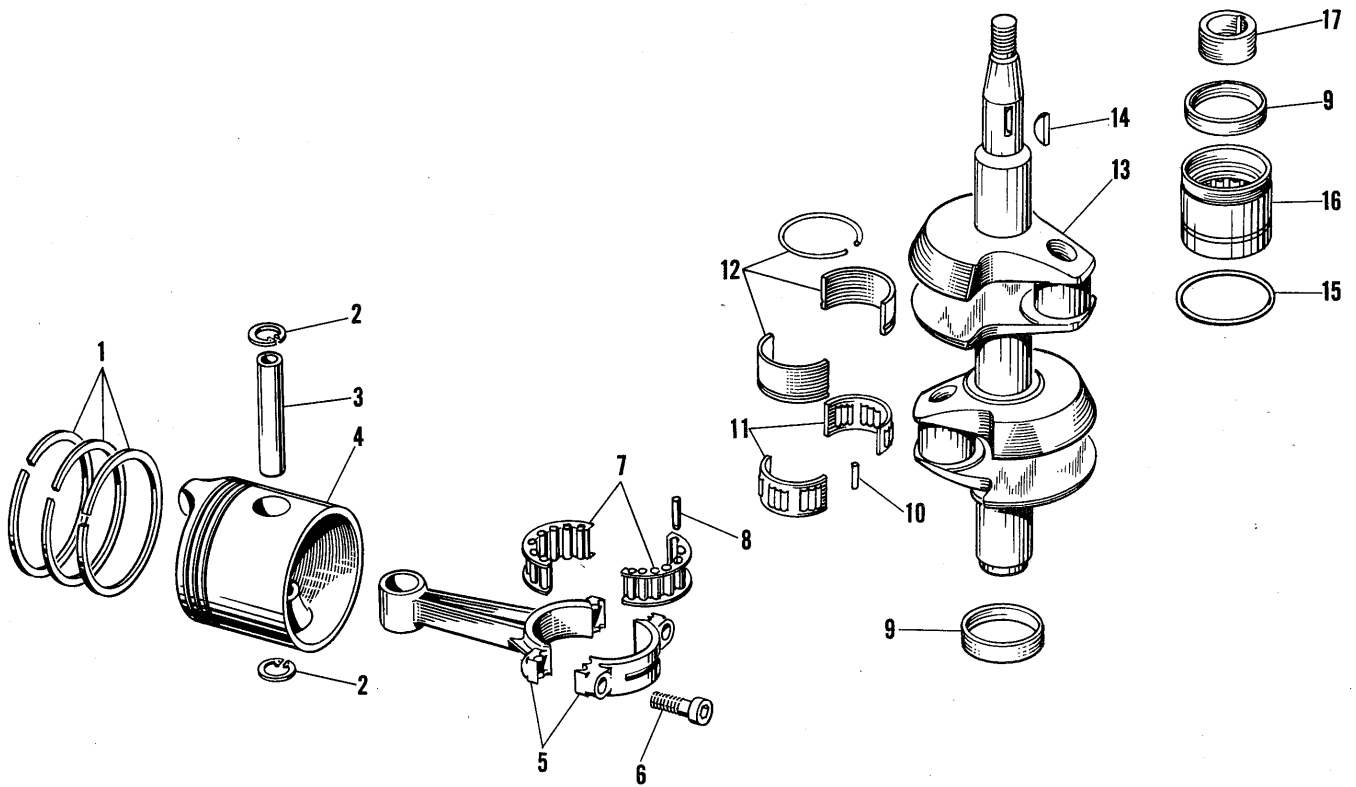
BE SURE TO SPECIFY MODEL AND SERIAL NUMBER OF MOTOR WHEN ORDERING PARTS

PHOTO NO.	PART NO.	NAME OF PART	QTY. PER MOTOR	PHOTO NO.	PART NO.	NAME OF PART	QTY. PER MOTOR
1	277450	Cylinder and Crankcase	1	28	304442	Screw	3
2	302037	Dowel - Upper and Center	2	29	303278	Support	1
3	11-61	Gland	2	30	303277	Retaining Ring	1
4	41-105	Packing Nut	2	31	203247	Gasket	1
5	300402	Taper Pin	2	32	376491	Cylinder Head	1
6	376742	Oil Line Assembly	1	33	202310	Core Plug	2
7	302811	Spacer	1	34	*200322	Spark Plug - Champion J6J	2
8	15-212	Washer	15	34	*376290	Spark Plug - Auto-Lite A3X	2
9	203249	Screw	2	35	300454	Grommet	1
10	25-242	Screw	8	36	300455	Anchor	1
11	19-191	Screw	3	37	21-486	Screw	10
12	203248	Plate	1	38	15-212	Washer	15
13	203235	Leaf Valve	1	39	302587	Spring	1
14	302288	Screw	1	40	203596	Shifter Lock	1
15	303459	Screw	1	41	302592	Screw	1
16	304251	Bracket - Port	1	42	304051	Washer	1
17	21-124	Screw	3	43	43-259	Screw	8
18	51-137	Washer	2	44	203253	Cover	2
19	304019	Grommet	1	45	203259	Gasket	2
20	203805	Lever	1	46	304264	Bracket - Starboard	1
21	303737	Screw	8	47	303922	Bumper	2
22	303109	Bearing Clamp	2	48	7-46	Nut	5
23	43-110	Screw	9	49	304155	Pin	1
24	302827	Spring	1	50	203735	Shock Absorber	1
25	203724	Exhaust Cover	1	51	19-124	Lockwasher	1
26	203257	Gasket	2	52	21-358	Screw	1
27	203258	Baffle Plate	1				

*We recommend either Champion or Auto-Lite Spark Plugs

NOTE
Power Head Gasket Set (less Cyl. Head Gasket)
Part No. 376704

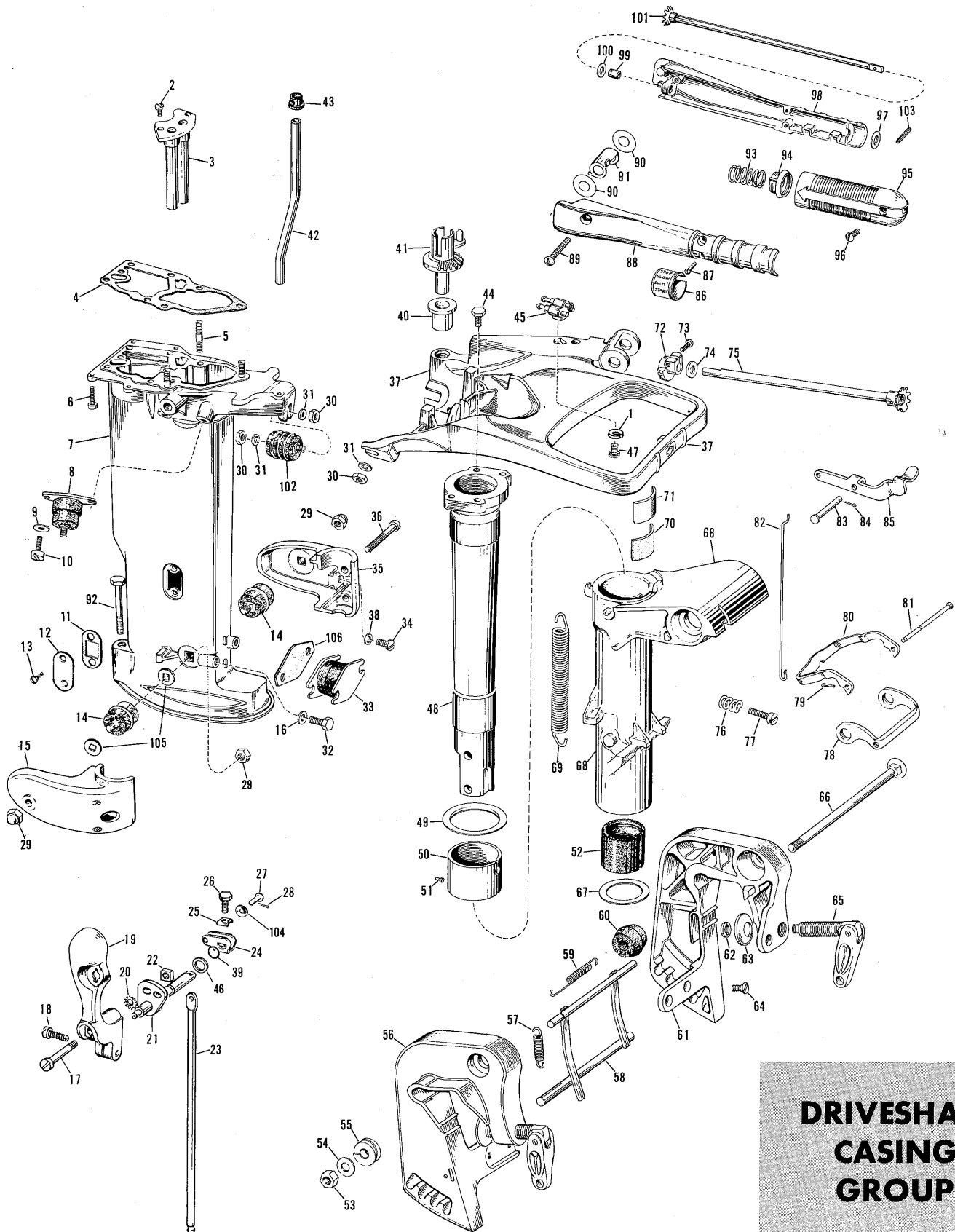
CRANKSHAFT GROUP



BE SURE TO SPECIFY MODEL AND SERIAL NUMBER
OF MOTOR WHEN ORDERING PARTS

PHOTO NO.	PART NO.	NAME OF PART	QTY. PER MOTOR
1	301787	Piston Ring	6
2	302577	Retaining Ring	4
3	203238	Piston Pin	2
4	277402	Piston & Dowel Pin Assembly	2
	(277203)	Piston and Connecting Rod Assembly)	2
5	277205	Connecting Rod Assembly	2
6	202967	Screw	4
7	203244	Retainer - Connecting Rod Bearing	2
8	302529	Needle Bearing	30
9	303804	Seal - Upper & Lower Bearing	2
10	302584	Roller - Center Bearing	18
11	302755	Bearing Cage - Center	2
12	302585	Split Sleeve - Center Bearing	1
13	277594	Crankshaft	1
14	120395	Key	1
15	302537	O-Ring - Upper Bearing	1
16	376433	Roller Bearing & Seal Assembly - Upper	1
17	510168	Cam	1

ORDER ALL PARTS FROM YOUR JOHNSON SEA-HORSE DEALER



**DRIVESHAFT
CASING
GROUP**

BE SURE TO SPECIFY MODEL AND SERIAL NUMBER
OF MOTOR WHEN ORDERING PARTS

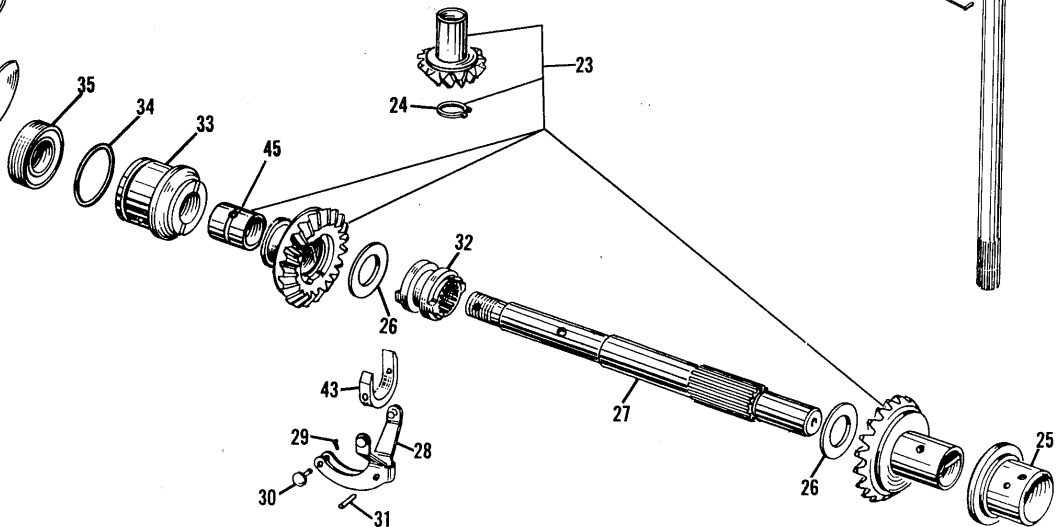
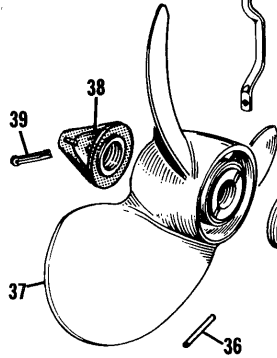
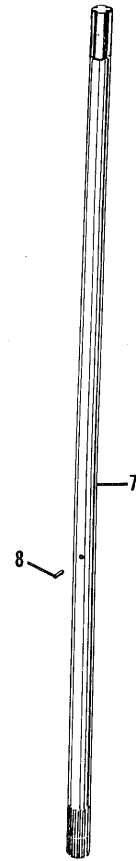
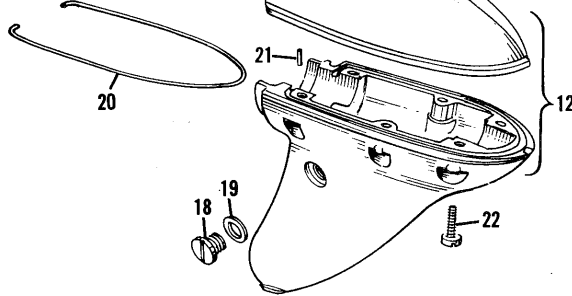
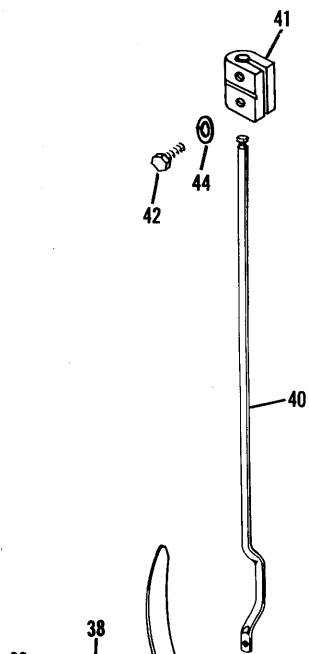
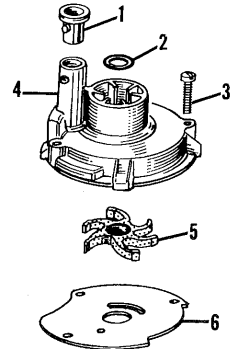
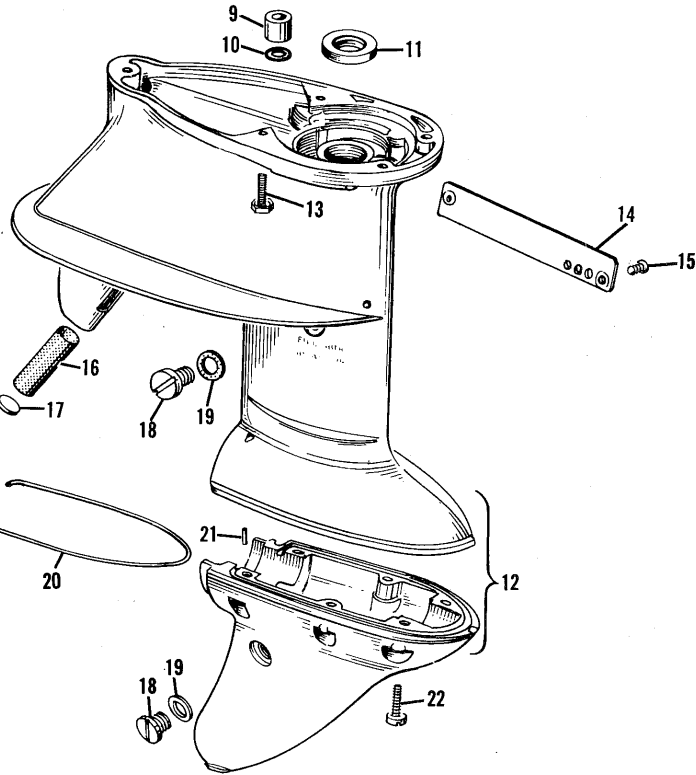
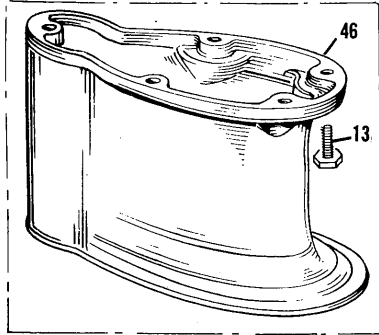
FDE-FDEL-10, 10L & 10S

PHOTO NO.	PART NO.	NAME OF PART	QTY. PER MOTOR	PHOTO NO.	PART NO.	NAME OF PART	QTY. PER MOTOR
1	51-137	Lockwasher	1	62	302420	Retainer	2
2	25-74	Screw	6	63	41-48	Swivel Plate	2
3	376289	Exhaust Loading Tube Assembly	1	64	30396	Screw	2
4	303892	Gasket	1	65	375742	Clampscrew, Swivel Plate & Retainer Assembly	2
5	304517	Stud	3	66	301984	Bolt	1
6	25-238	Screw	5	67	303865	Thrust Washer	1
7	376406	Exhaust Tube and Stud Assembly	1	68	303840	Swivel Bracket	1
8	303879	Rubber Mount - Upper Side	2	69	303979	Spring	1
9	303887	Washer	4	70	303843	Spacer	1
10	39-176	Screw	4	71	303844	Plate	1
11	304023	Gasket	1	72	303142	Pinion	1
12	303862	Cover Plate	1	73	71-1352	Screw	1
13	302509	Screw	4	74	303107	Washer	1
14	303880	Rubber Mount	2	75	376306	Gear & Shaft Assembly - Short (Model FDE-10)	1
15	303897	Housing - Starboard	1		376692	Gear & Shaft Assembly - Short (Models FDE-10L & 10S)	1
16	303886	Washer	4	76	551113	Spring	1
17	304817	Screw	1	77	132679	Screw	1
18	300258	Screw	1	78	303950	Link	1
19	376520	Shift Lever and Pin Assembly	1	79	15-268	Cotter Pin	3
20	303480	Lockwasher	1	80	303948	Locking Lever	1
21	376307	Adjusting Lever & Shaft Assembly	1	81	303949	Rod	1
22	303189	Nut	1	82	303978	Link	1
23	303861	Shift Rod - Upper	1	83	303930	Pivot Shaft	1
24	304378	Lever	1	84	303049	Cotter Pin	2
25	303721	Clip	1	85	303980	Arm	1
26	303722	Screw	1	86	203260	Plate	1
27	304377	Pin	1	87	133452	Screw	2
28	15-268	Cotter Pin	3	88	303093	Steering Handle - Inner Half	1
29	303890	Acorn Nut	4	89	303078	Screw	1
30	303889	Nut	4	90	303079	Washer	2
31	303884	Washer	4	91	303096	Cover	1
32	303888	Screw	2	92	302871	Screw	1
33	303881	Rubber Mount	1	93	301656	Spring	1
34	303883	Screw	2	94	303282	Friction Block	1
35	303896	Housing - Port	1	95	303213	Grip	1
36	303898	Screw	2	96	302710	Screw	1
37	376583	Steering Bracket & Bushings Assembly	1	97	303252	Washer	1
38	303886	Washer	4	98	376042	Steering Handle & Bushings Assembly	1
39	303191	O-Ring	1				
40	303854	Bushing	1	99	302717	Bushing	1
41	304157	Gear	1	100	302712	Washer	1
42	303917	Water Tube	1	101	376416	Gear & Shaft Assembly - Long (Model FDE-10)	1
43	302497	Grommet	2		376691	Gear & Shaft Assembly - Long (Models FDE-10L & 10S)	1
44	21-171	Screw	4	102	303878	Rubber Mount - Upper - Front	1
45	375788	Fuel Connector Assembly	1	103	300346	Groove Pin	1
46	303775	Washer	1	104	304380	Bow Washer	1
47	21-359	Screw	1	105	304168	Gasket	4
48	303853	Pilot Shaft	1	106	304169	Gasket	1
49	303842	Thrust Washer	1				
50	303846	Upper Liner	1				
51	303696	Pin	1				
52	303841	Shock Absorber	1				
53	17-182	Nut	1				
54	25-196	Washer	1				
55	302051	Spring	1				
56	376283	Stern Bracket Assembly - Starboard	1				
57	202021	Spring	1				
58	376312	Tilting Lever Assembly	1				
59	304095	Spring	1				
60	301983	Conical Washer	2	42	304037	Water Tube (FDEL)	1
61	376284	Stern Bracket Assembly - Port	1	92	304135	Screw (FDEL)	1
				102	304153	Rubber Mount Upper Front (FDEL)	1

MODEL FDEL-10,10L & 10S PARTS
THAT DIFFER FROM MODEL FDE-10,10L & 10S

See Page 21 for additional Model FDEL-10,10L & 10S parts.

GEARCASE ASSEMBLY GROUP

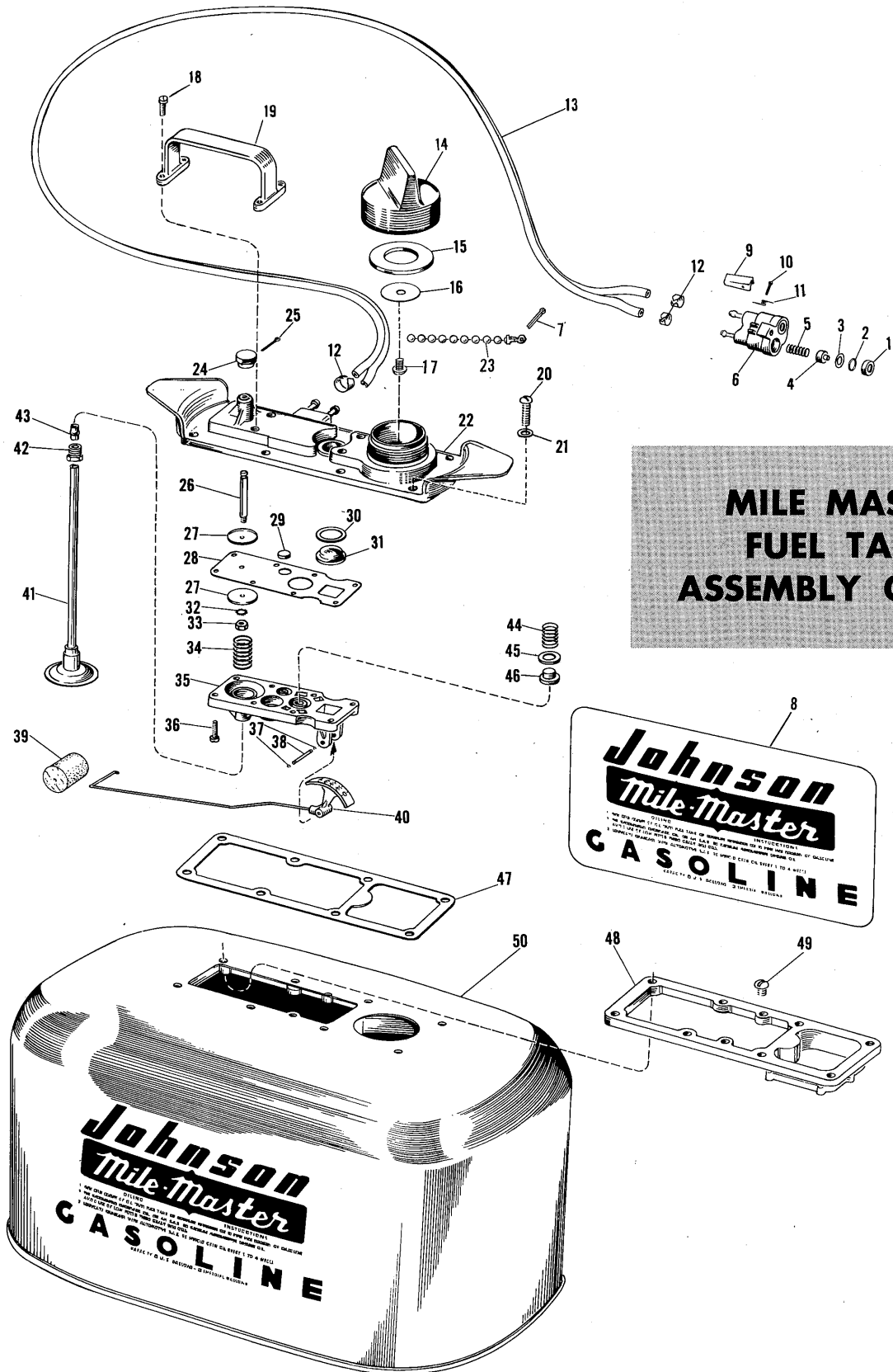
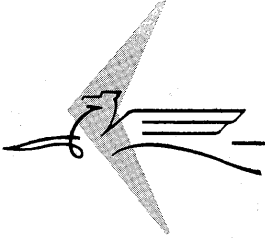


BE SURE TO SPECIFY MODEL AND SERIAL NUMBER
OF MOTOR WHEN ORDERING PARTS

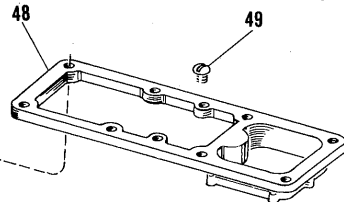
PHOTO NO.	PART NO.	NAME OF PART	QTY. PER MOTOR
1	302497	Grommet	2
2	303067	O-Ring	1
3	302508	Screw	3
4	303070	Impeller Housing	1
5	375638	Impeller Assembly	1
6	303069	Plate	1
7	303860	Driveshaft	1
8	300771	Pin	1
9	301878	Bushing	1
10	301877	O-Ring	1
11	41-62	Seal	1
12	376482	Gearcase & Bearing Assembly (Models FDE-10 & 10L)	1
	376771	Gearcase & Bearing Assembly (Model FDE-10S)	1
13	302510	Screw	4
14	302505	Cover	1
15	302509	Screw	4
16	302757	Screen	1
17	300314	Plug	1
18	27-283	Screw	2
19	27-284	Washer	2
20	302513	Seal	1
21	300611	Dowel	2
22	304070	Screw	6
23	376485	Pinion, Gears and Bushing Assembly	1
24	301883	Retaining Ring	1
25	302496	Bearing	1
26	301884	Thrust Washer	2
27	304265	Propeller Shaft	1
28	375755	Shifter Lever and Pin Assembly	1
29	15-268	Cotter Pin	3
30	302504	Pin	1
31	302501	Pivot Pin	1
32	375711	Shifter Assembly	1
33	375751	Gearcase Head & Bearing Assembly	1
34	302493	O-Ring	1
35	302495	Seal	1
36	203663	Drive Pin	1
37	376737	Propeller and Bushing Assembly	1
38	376501	Propeller Nut	1
39	19-84	Cotter Pin	3
40	303098	Shift Rod - Lower	1
41	303794	Connector	1
42	304024	Screw	2
43	302500	Cradle	1
44	301551	Lockwasher	2
45	303997	Bushing	1
MODEL FDEL-10, 10L & 10S PARTS THAT DIFFER FROM MODEL FDE-10, 10L & 10S			
7	304036	Driveshaft (FDEL)	1
13	302510	Screw (FDEL)	4
40	303257	Shift Rod (FDEL)	1
46	304136	Gearcase Extension (FDEL)	1

See Page 19 for additional FDEL-10, 10L & 10S parts

ORDER ALL PARTS FROM YOUR JOHNSON SEA-HORSE DEALER



**MILE MASTER
FUEL TANK
ASSEMBLY GROUP**



BE SURE TO SPECIFY MODEL AND SERIAL NUMBER OF MOTOR WHEN ORDERING PARTS

PHOTO NO.	PART NO.	NAME OF PART	QTY. PER MOTOR	PHOTO NO.	PART NO.	NAME OF PART	QTY. PER MOTOR
1	301828	Retainer	2	27	301800	Support	2
2	301824	O-Ring	2	28	302563	Diaphragm	1
3	301827	Washer	2	29	301802	Disc Valve	1
4	301826	Valve	2	30	302571	Seal	1
5	301825	Spring	2	31	302568	Glass	1
6	375587	Fuel Connector Assembly	1	32	301736	Lockwasher	1
7	15-213	Cotter Pin	1	33	21-195	Nut	1
8	304498	Transfer - Fuel Tank	1	34	301803	Spring	1
9	301830	Lock	1	35	302555	Housing	1
10	301832	Rivet	1	36	13-558	Screw	14
11	301829	Spring	1	37	302654	Snap Ring	2
12	301822	Hose Clamp	6	38	302653	Pin	1
13	301821	Hose	1	39	302559	Float	1
14	375817	Filler Cap Assembly	1	40	375778	Indicator Assembly	1
15	301835	Gasket	1	41	375846	Foot Valve Assembly	1
16	302560	Plate	1	42	132691	Nut	1
17	301837	Screw	1	43	13-304	Gland	1
18	13-558	Screw	14	44	302135	Spring	1
19	302570	Handle	1	45	302137	Washer	1
20	304137	Screw	8	46	302136	Valve	1
21	301814	Gasket	8	47	302557	Gasket	1
22	376276	Housing	1	48	302556	Support	1
23	301838	Chain	1	49	53-85	Screw	2
24	301815	Push Button	1	50	375774	Fuel Tank (Only)	1
25	17-186	Cotter Pin	1			(375777 Fuel Tank Assembly Complete)	1
26	302561	Push Rod	1				

NOTE
Mile-Master Tank Gasket Set
Part No. 376455

ORDER ALL PARTS FROM YOUR JOHNSON SEA-HORSE DEALER



JOHNSON MOTORS • WAUKEGAN, ILLINOIS • U.S.A.